

# MK5 ANCHOR



## High Holding Power Anchor

Widely used in offshore FPSO platforms.

Anchors are qualified by IACS classes, such as DNV, GL, RINA, BV, ABS, IRS, NK, KR, CCS. 100% proof load test.

## Selectable chain fittings

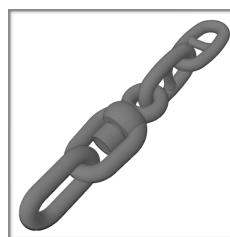
**Anchor End shackle:** for connecting the anchor end;

**Swivel Forerunners:** for connecting anchor with chain cables

Anchor  
D Shackle



Swivel  
Forerunner



Steel Plate Cutting  
Laser cutting machine  
for precisely cutting

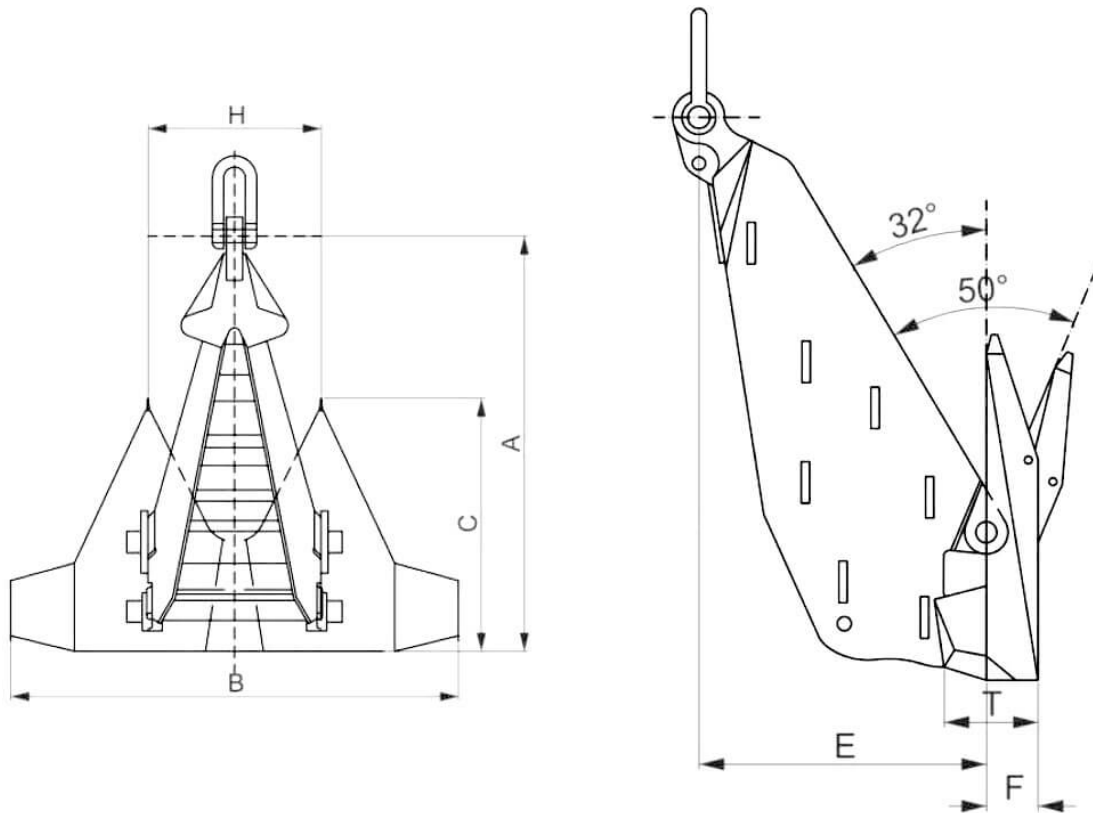


Proof Load Test  
100% proof load test  
for each anchor



IACS Qualified Product  
Anchors with DNV, LR,  
BV, ABS, IRS, RS, RINA,  
KR, NK, CCS.

MK5 ANCHOR DRAWING & DIMENSIONS



Nominal Weight(kg)	A	B	C	E	F	H	T
300	1828	1968	1101	927	160	757	230
500	2040	2197	1233	1035	179	845	360
1000	2580	2780	1582	1314	236	1074	430
1500	2945	3184	1812	1505	271	1230	493
3000	3721	4011	2283	1896	342	1550	622
5000	4412	4756	2707	2248	406	1837	738
7000	4910	5290	3011	2500	453	2045	825
8000	5161	5563	3166	2629	474	2149	862
10000	5559	5992	3410	2832	511	2315	929
12000	5908	6368	3624	3010	543	2460	988
14000	6219	6704	3815	3169	572	2590	1040
15000	6364	6860	3904	3242	585	2650	1064
18000	6763	7290	4149	3446	622	2816	1131
20000	7004	7550	4297	3569	644	2917	1171
22000	7230	7794	4436	3684	665	3011	1209
25000	7545	8133	4629	3844	694	3142	1262
30000	8018	8645	4919	4085	737	3339	1341

\* Weights & dimensions are not limited as above. Customized production available.

A CORNER VIEW OF OUR FACTORY



IACS CERTIFICATION



PROFESSIONAL LOADING TEAM

*Our logistics team can load every type and weight anchor properly for shipment. You order, then rest done by US.*