

JIS STOCKLESS ANCHOR



Anchor Moulding
Types of moulds for casting anchors



Proof Load Test
100% proof load test for each anchor



IACS Qualified Product
Anchors with DNV, LR, BV, ABS, IRS, RS, RINA, KR, NK, CCS.

Stockless Bow Anchor

Anchors are qualified by IACS classes, such as DNV, GL, RINA, BV, ABS, IRS, NK, KR, CCS

Selectable chain fittings

Anchor End shackle: for connecting the anchor end;

Swivel Forerunners: for connecting anchor with chain cables

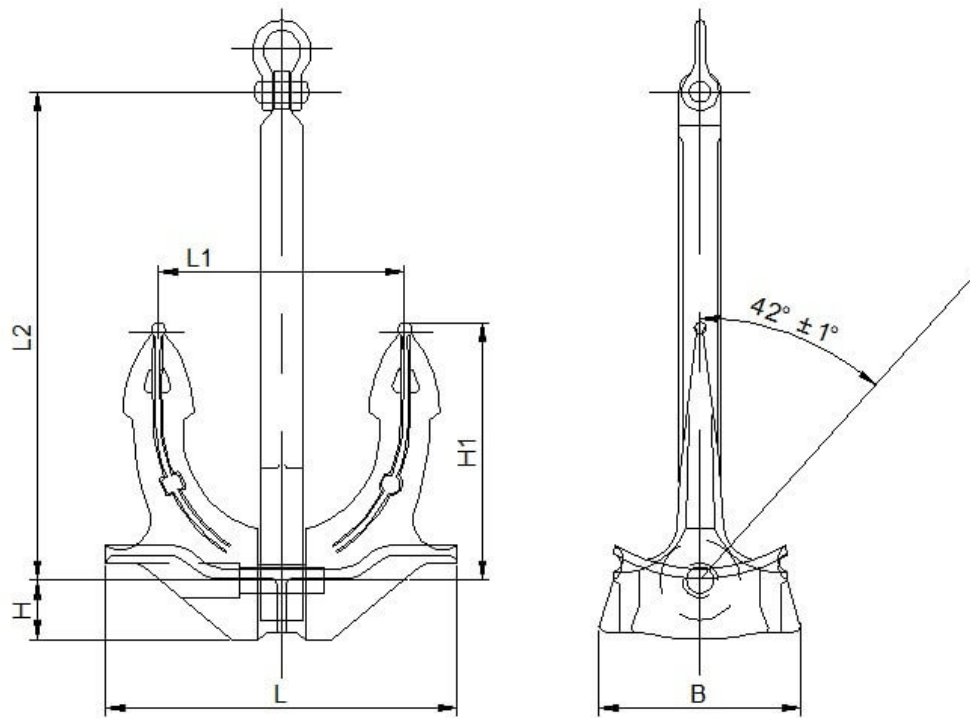
Anchor D Shackle



Swivel Forerunner



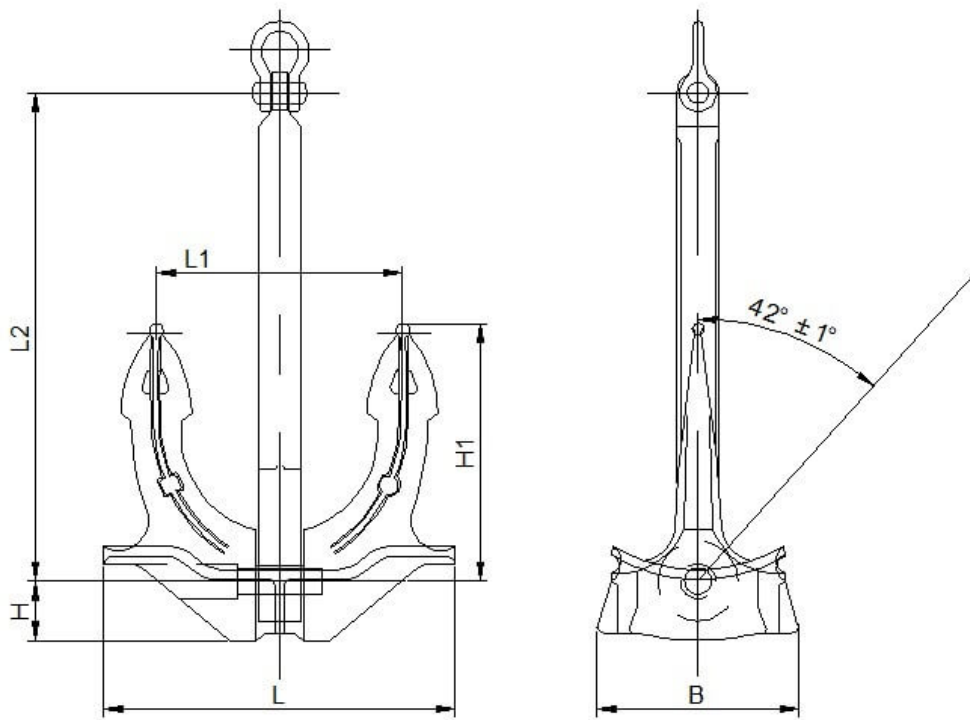
STINGRAY ANCHOR DRAWING & DIMENSIONS



Nominal Weight(kg)	L	L1	L2	H	H1	B
100	540	378	750	91	395	230
125	580	405	810	97	425	248
150	612	432	855	104	452	264
180	650	459	910	111	480	280
240	720	510	1010	122	530	310
280	760	534	1060	130	560	325
300	770	540	1080	131	570	331
320	790	560	1100	132	580	338
360	820	580	1150	139	610	353
420	860	610	1200	146	640	370
480	900	640	1260	153	670	387
570	950	670	1330	162	700	408
660	660	710	1440	170	740	430

Finishing: Hot Dip Gal. / Black painting

*More weights & dimension could be offered according to client's request.



Nominal Weight(kg)	L	L1	L2	H	HI	B
780	1060	750	1480	180	780	456
900	1110	780	1550	189	820	477
1020	1160	820	1620	197	860	500
1140	1200	850	1680	204	890	520
1290	1250	880	1750	212	920	540
1440	1300	920	1820	221	960	560
1590	1340	950	1880	228	990	580
1740	1380	980	1930	235	1020	600
1920	1430	1010	2000	243	1060	620
2100	1470	1040	2060	250	1090	640
2280	1510	1070	2110	257	1120	650
2460	1550	1100	2170	264	1150	670
2640	1590	1120	2230	270	1180	690
2850	1630	1150	2280	277	1210	700
3060	1670	1180	2340	284	1214	720
3780	1790	1260	2510	304	1320	770
4890	1950	1380	2730	332	1440	840
5610	2040	1440	2860	347	1510	880
8700	2380	1670	3320	403	1750	1020
15400	2860	2020	4000	486	2110	1230
29000	3530	2490	4840	600	2610	1520
38500	3880	2740	5430	660	2860	1670
46000	4120	2910	5770	700	3040	1770

Finishing: Hot Dip Gal. / Black painting

*More weights & dimension could be offered according to client's request.